



- *OneTouch* device for smooth opening and closing
- Available with activation push of 10 and 40 mm
- Standard solution for application with Push hinges of the *Optima Click* and *MS Slide-On* range

OneTouch with magnet



Technical specifications:

- A touch of elegance for handleless doors
- Application with magnet and push hinges
- Activation push of 10mm
- With adhesive plate included
- Plate to screw as optional

ONETOUCH DEVICE WITH MAGNET



Code	Description	Packing
59.5420.P6.10.F00	Set of OneTouch device with magnet + adhesive plate	500 sets
59.5420.P6.10.000	OneTouch device with magnet	500 pieces
59.542P.0F.00.000	Adhesive plate for magnetic OneTouch device	500 pieces
59.542P.07.00.000	Plate to screw for magnetic OneTouch device	500 pieces
59.0337.**.00.A00	Mounting plate 37mm	500 pieces
59.031L.**.00.A00	Linear mounting plate	500 pieces

** Finishes: C6 = Grey / 06 = Nickel / 01 = White

OPTIMA PUSH

Optima Push hinge 110°	51.XSH5.P5.**.00000
Optima Push hinge, for aluminium frames	51.XS91.P5.**.00000
Optima Push hinge, Ø40	51.XH45.P5.**.00000

** Usual cranks and angles available

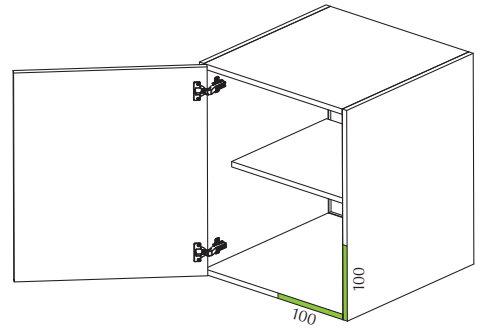
SLIDE-ON PUSH

Slide-On Push hinge 110°	51.MS15.P5.**.00000
Slide-On Push hinge, for aluminium frames	51.MS41.P5.**.00000
Slide-On Push hinge, Ø40	51.MN45.P5.**.00000

** Usual cranks and angles available

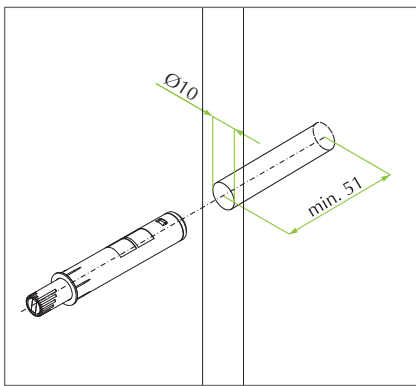
Ideal assembly:

The OneTouch device for door without handles has to be mounted in the corresponding area of the handle.

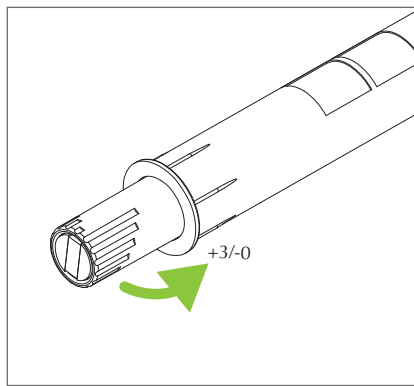


Assembly:

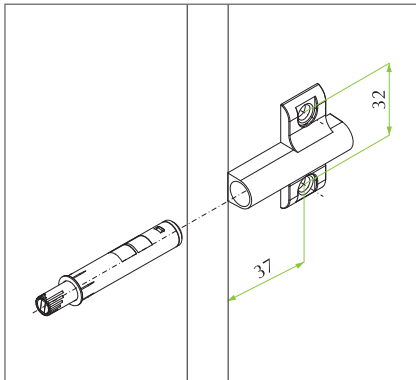
ONETOUCH DEVICE



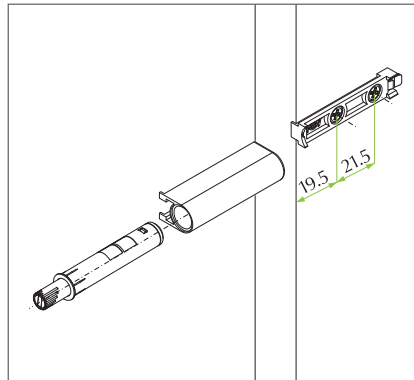
ADJUSTMENTS



MOUNTING PLATE 37mm



LINEAR MOUNTING PLATE



ADHESIVE PLATE

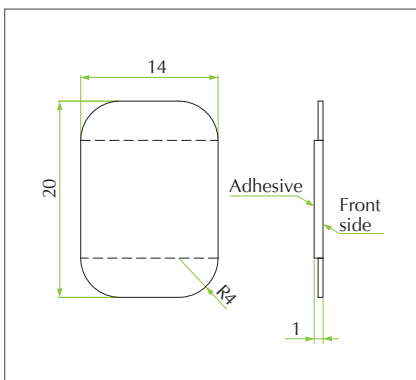


PLATE TO SCREW

